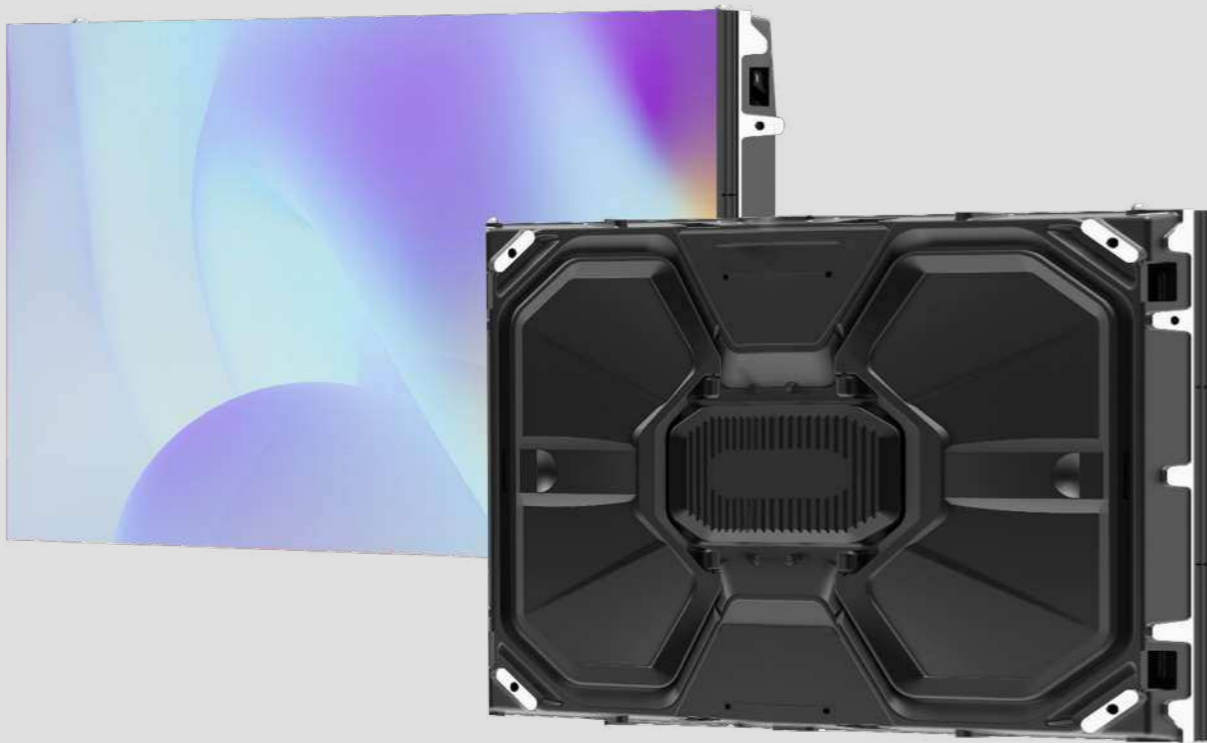


Meta K

The best value-for-money product in the country

You can enjoy both reasonable prices , and high-level performance .



Panel Size
320 x 160 mm

Good Price # No Cable Hub # Front and Rear Maintenance # Calibration

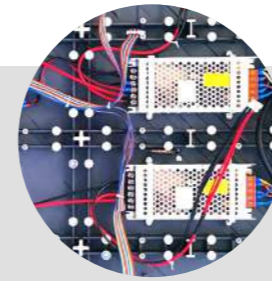
Pixel Pitch
p1.8 | p2 | P2.5 | P3 | P4

Usage
#Commercial Advertising #Shopping Mall #Hospital #Church

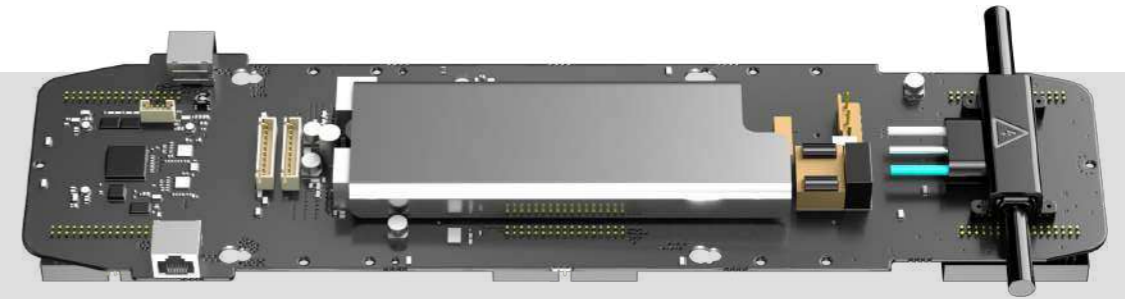
Kinglight®

Meta hub board

No-cable hub board applied, used only in high-end products

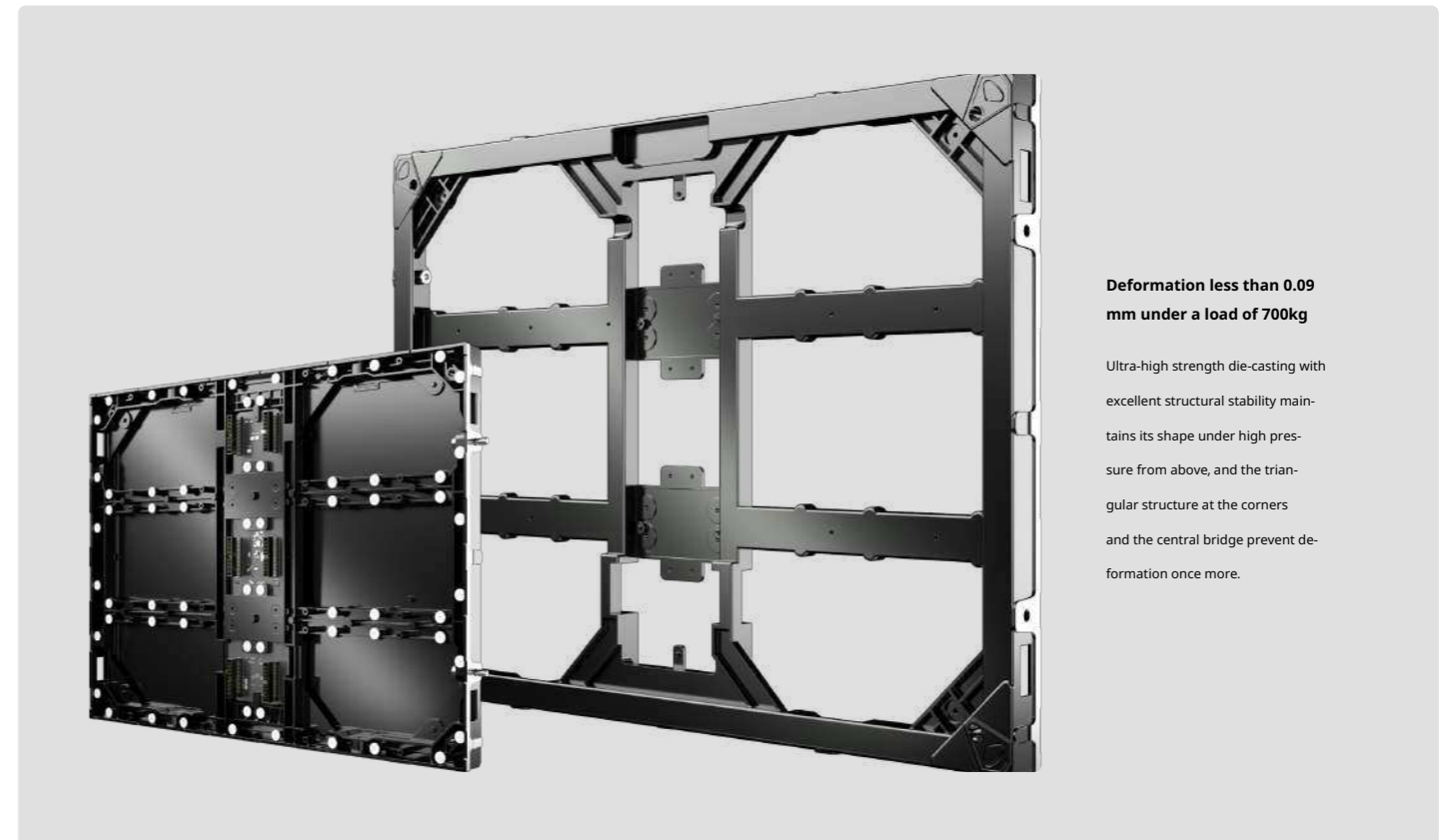


Standard Cable Type Hub Board



The no-cable hub board does not require cable connections when attaching the module , just plug it in and power and data are automatically recognized . Installation and maintenance are very easy and failures are very rare .

Ultra-High Strength Die-Casting That Does Not Deform Under Heavy Load



Deformation less than 0.09 mm under a load of 700kg

Ultra-high strength die-casting with excellent structural stability maintains its shape under high pressure from above, and the triangular structure at the corners and the central bridge prevent deformation once more.

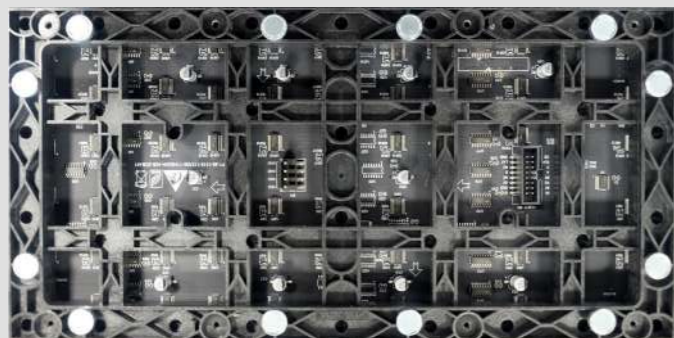
Front and rear maintenance

Unlike general Fixed products that can only be maintained from the front rear maintenance is also possible



The power supply placed on the opposite side of the module and the hub board with optimized heat dissipation design prevent image quality degradation due to heat. From the rear, the hub board, power supply, receiving card, and module can all be easily maintained.

A feature only found in high-end products, perfectly applied calibration



Equipped with flash memory

By equipping the module with flash memory, as soon as the module is inserted, calibration (uniformity correction) data is automatically recognized.

Calibration?

Through a correction process that reduces the uniformity deviation between lamps, when applied, screen noise and blemishes disappear and the screen appears clean.



Church
Meta K p1.8, p2.5

Meta K specification

Product	Meta K p1.8	Meta K p2.0	Meta K p2.5	Meta K p3.0	Meta K p4.0
Pixel Pitch	1.86 mm	2 mm	2.5 mm	3.07692 mm	4 mm
Brightness	600 nit	600 nits	700 nits	700 nits	700 nits
Module Size	320 x 160 mm	320 x 160 mm	320 x 160 mm	320 x 160 mm	320 x 160 mm
Panel Size	640 x 480 mm	640 x 480 mm	640 x 480 mm	640 x 480 mm	640 x 480 mm
Panel Resolution	344 x 258 px	320 x 240 px	256 x 192 px	208 x 156 px	160 x 120 px
Refresh Rate	3,840 Hz (Option: 7,680 Hz)	3,840 Hz (Option: 7,680 Hz)	3,840 Hz (Option: 7,680 Hz)	3,840 Hz (Option: 7,680 Hz)	3,840 Hz (Option: 7,680 Hz)
Viewing Angle	160° (H, V)	160° (H, V)	160° (H, V)	160° (H, V)	160° (H, V)
Weight	22 kg/sqm	22 kg/sqm	22 kg/sqm	22 kg/sqm	22 kg/sqm
Maintenance	Front & Rear	Front & Rear	Front & Rear	Front & Rear	Front & Rear
Power Consumption	Max. 480 Avg. 160 w/sqm	Max. 480 Avg. 160 w/sqm	Max. 480 Avg. 160 w/sqm	Max. 480 Avg. 160 w/sqm	Max. 480 Avg. 160 w/sqm
Input Voltage	AC100~240V 50/60Hz	AC100~240V 50/60Hz	AC100~240V 50/60Hz	AC100~240V 50/60Hz	AC100~240V 50/60Hz
Life Span	100,000 hours	100,000 hours	100,000 hours	100,000 hours	100,000 hours