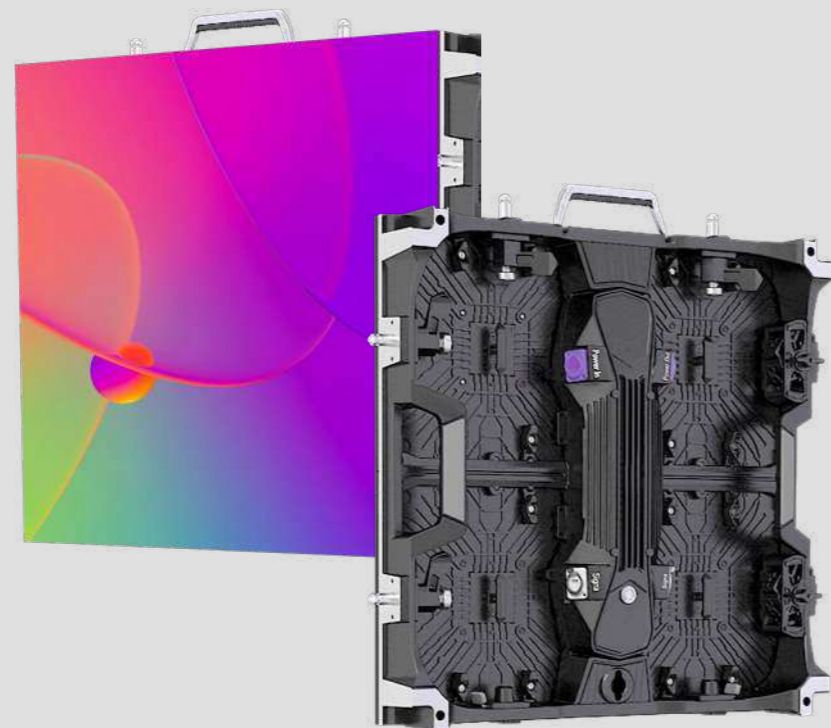


Neptune Indoor

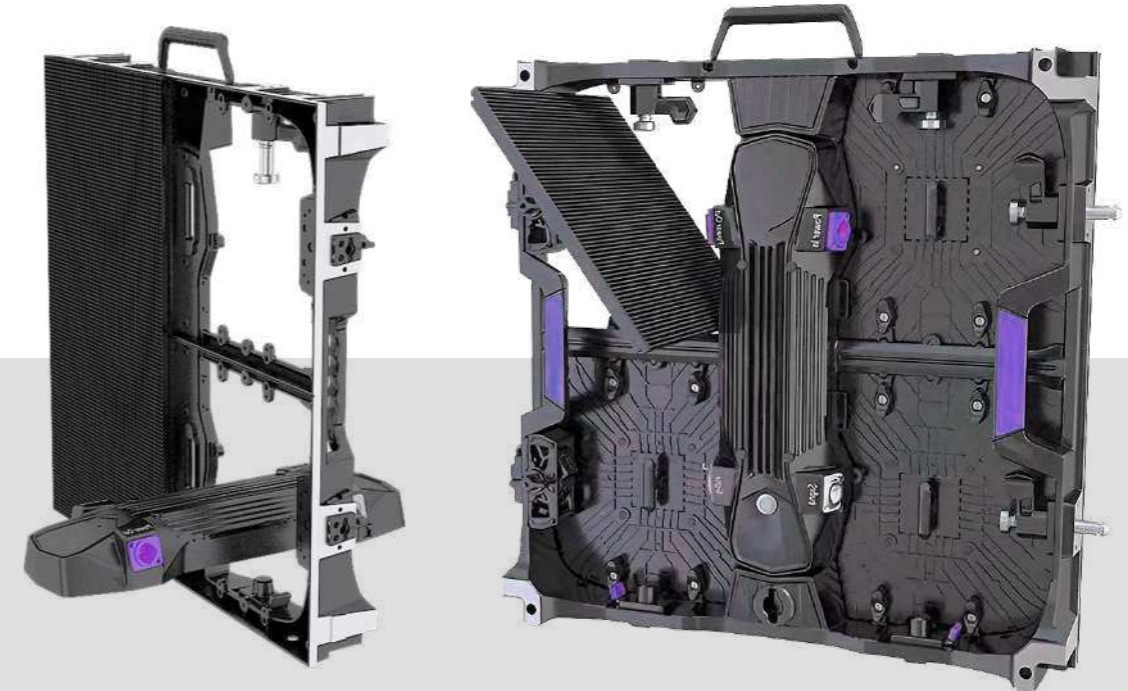
Durable rental products you can trust for a long time

With strong durability, it maintains consistent performance even after numerous installations and removals .



Modular type

Front and rear maintenance possible up to the power box



The power box of general rental products can only be maintained from the rear. Neptune, with its modular design, allows easy removal and maintenance of the power box from the front if there is an 80mm space at the rear.

Panel Size

500 x 500 mm

#Front and Rear Maintenance #Curved Connector #Unchanging Durability #Calibration

Kinglight®

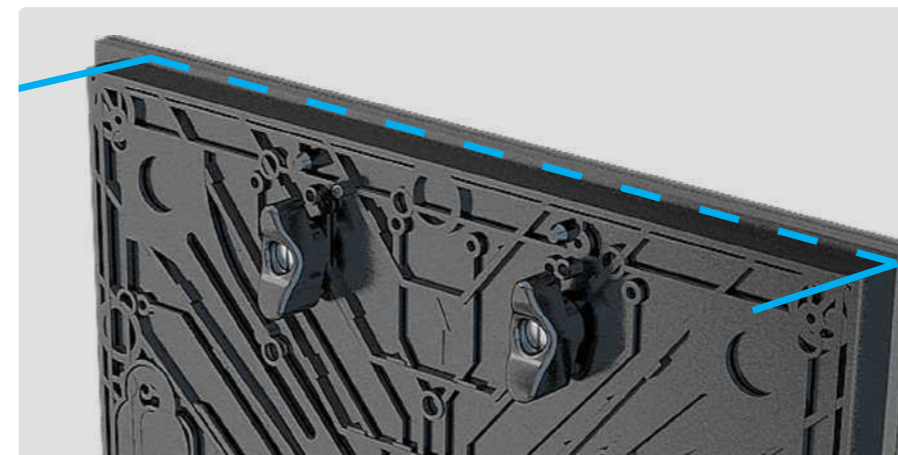
Pixel Pitch

p1.9 | p2.5 | P2.6 | p2.9 | P3.9

Usage

#Stage and General Events #Convention Hall

Designed with greater precision

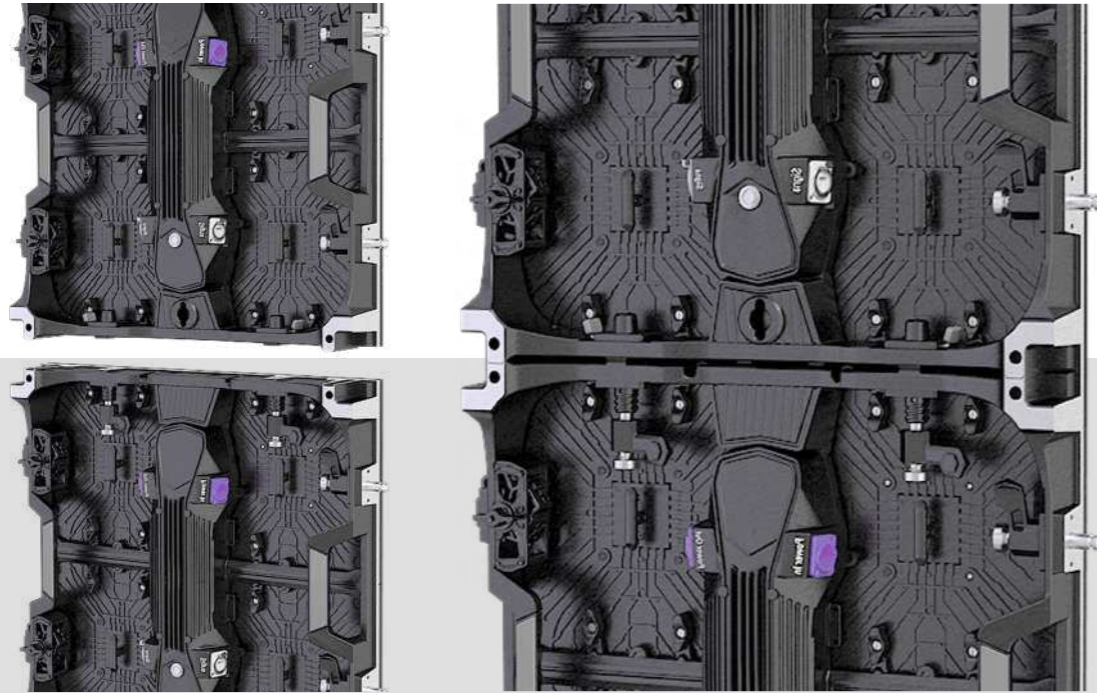


Precision Insert

Designed to fit precisely in the optimal position during assembly through a precise injection process. The gap is minimized, resulting in excellent flatness.

Strong Connector

Fast and stable installation and removal



Rental screens are installed and removed countless times. They need to be not only easy and fast but also robust and durable.



Mayfield Hotel Mayfield Ballroom
Neptune Indoor p3.9

Curved connector allows curved installation



Curve Lock option for curved support

The Curve Lock option is a component that allows for the construction of curved installation screens. More creative and challenging designs are possible.

Selectable in units of 3° or 5° (3° 6° 9° or 5° 10°)

Neptune Indoor specification

Product	Neptune Indoor p1.9	Neptune Indoor p2.5	Neptune Indoor p2.6	Neptune Indoor p2.9	Neptune Indoor p3.9
Pixel Pitch	1.953125 mm	2.5 mm	2.60416 mm	2.97619 mm	3.90625 mm
Brightness	1,000 nit	1,200 nit	800 nit	800 nit	800 nit
Module Size	250 x 250 mm	250 x 250 mm	250 x 250 mm	250 x 250 mm	250 x 250 mm
Panel Size	500 x 500 mm	500 x 500 mm	500 x 500 mm	500 x 500 mm	500 x 500 mm
Panel Resolution	256 x 256 px	200 x 200 px	192 x 192 px	168 x 168 px	128 x 128 px
Refresh Rate	3,840 Hz (Option: 7,680 Hz)	3,840 Hz (Option: 7,680 Hz)	3,840 Hz (Option: 7,680 Hz)	3,840 Hz (Option: 7,680 Hz)	3,840 Hz (Option: 7,680 Hz)
Viewing Angle	160° (H, V)	160° (H, V)	160° (H, V)	160° (H, V)	160° (H, V)
Weight	30 kg/sqm	30 kg/sqm	30 kg/sqm	30 kg/sqm	30 kg/sqm
Maintenance	Front & Rear	Front & Rear	Front & Rear	Front & Rear	Front & Rear
Power Consumption	Max. 800 Avg. 267 w/sqm	Max. 800 Avg. 267 w/sqm	Max. 800 Avg. 267 w/sqm	Max. 800 Avg. 267 w/sqm	Max. 800 Avg. 267 w/sqm
Input Voltage	AC100~240V 50/60Hz	AC100~240V 50/60Hz	AC100~240V 50/60Hz	AC100~240V 50/60Hz	AC100~240V 50/60Hz
Life Span	100,000 hours	100,000 hours	100,000 hours	100,000 hours	100,000 hours