

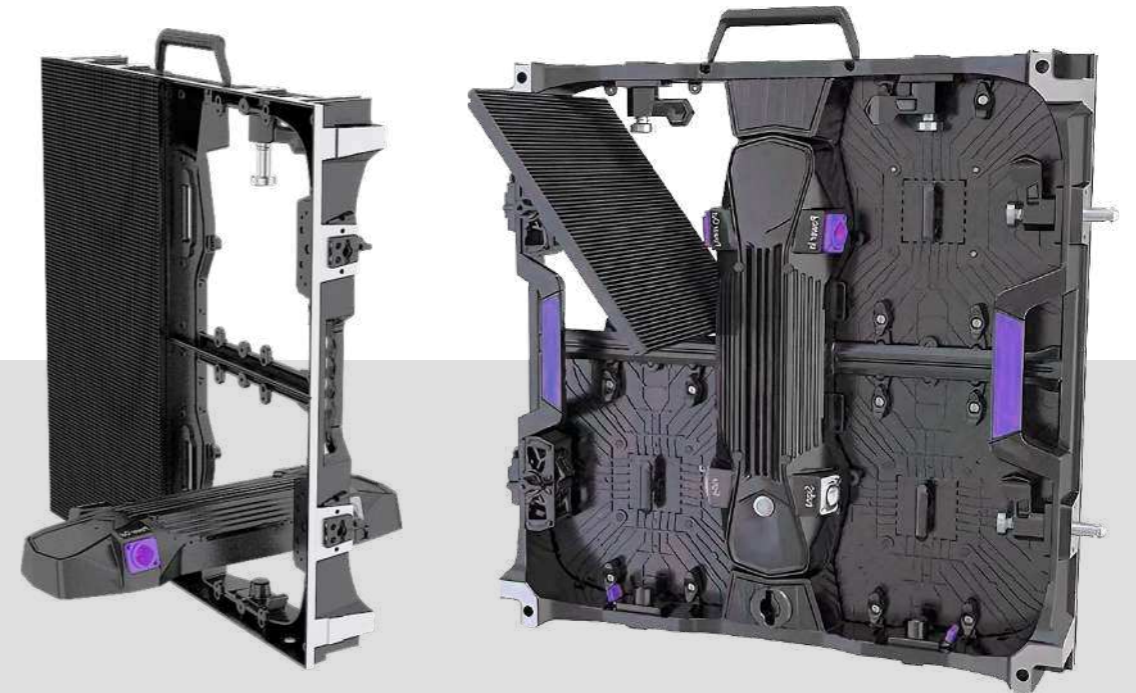
Neptune Outdoor

Durability continues even outdoors .

Perfect waterproof and dustproof design allows for temporary Rental use as well as permanent Fixed installation .



**Designed for both Rental and Fixed
Excellent not only for stages
but also for outdoor advertising**



The power box of general rental products can only be maintained from the rear. Neptune, with its modular design, allows easy removal and maintenance of the power box from the front if there is an 80mm space at the rear.

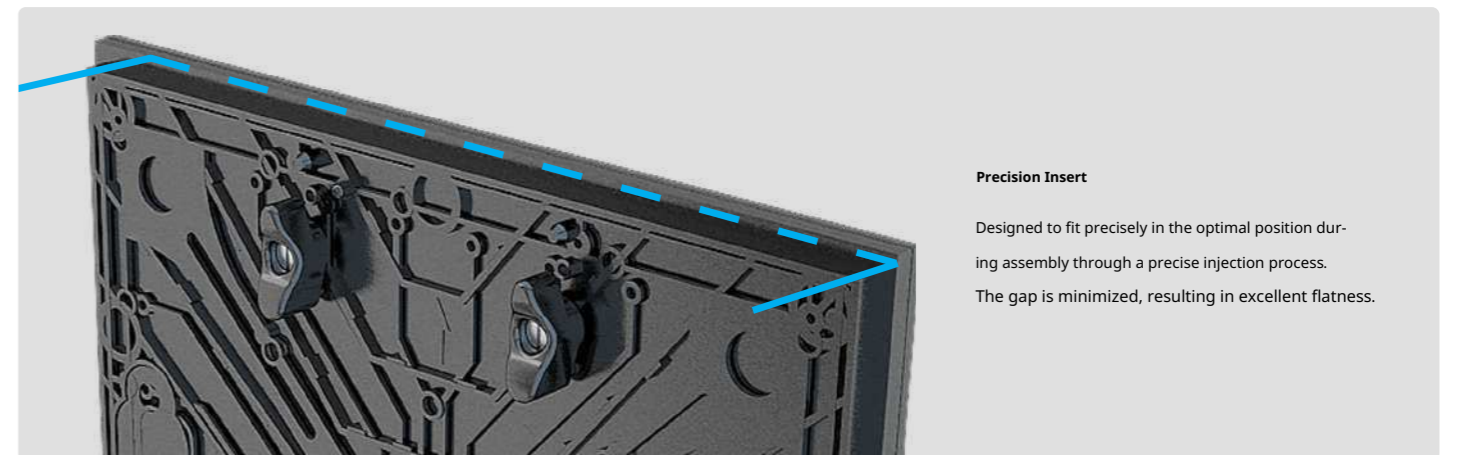
Panel Size
500 x 1000 mm

#IP65 #Front and rear maintenance #Curved connector #Unchanging durability

Pixel Pitch
p2.9 | p3.9 | P4.8

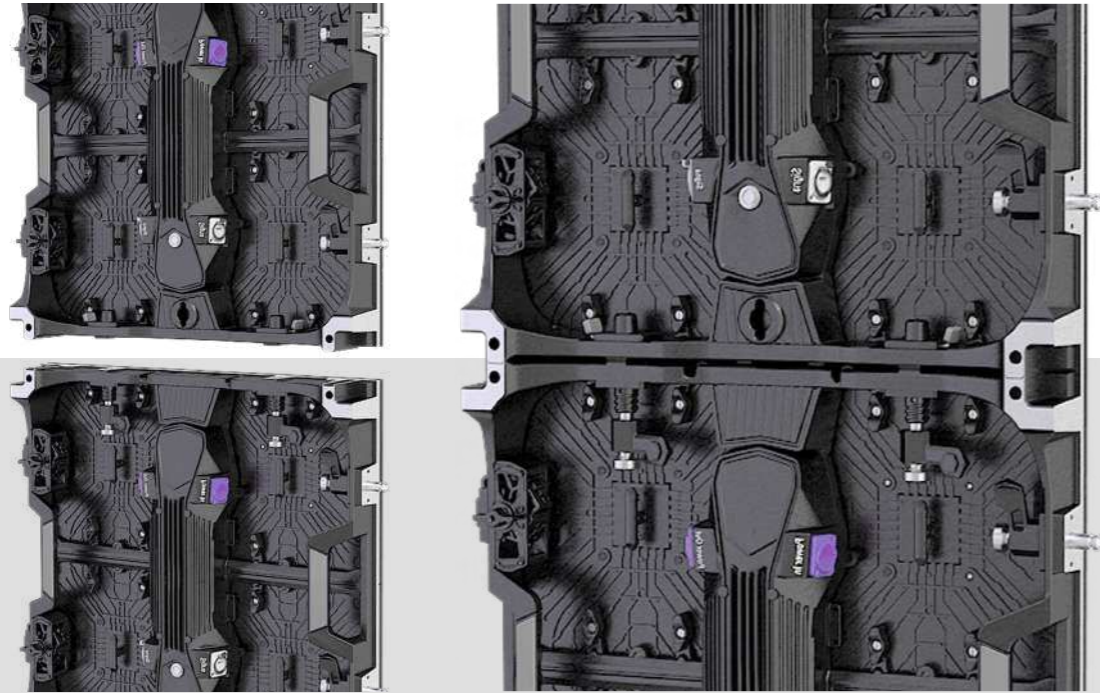
Usage
#Outdoor stages and general events #Media poles #Outdoor advertising

Designed with greater precision



Precision Insert
Designed to fit precisely in the optimal position during assembly through a precise injection process. The gap is minimized, resulting in excellent flatness.

Any environment OK IP65 design for long-term safe use



Rental screens are installed and removed countless times. They need to be not only easy and fast but also robust and durable.

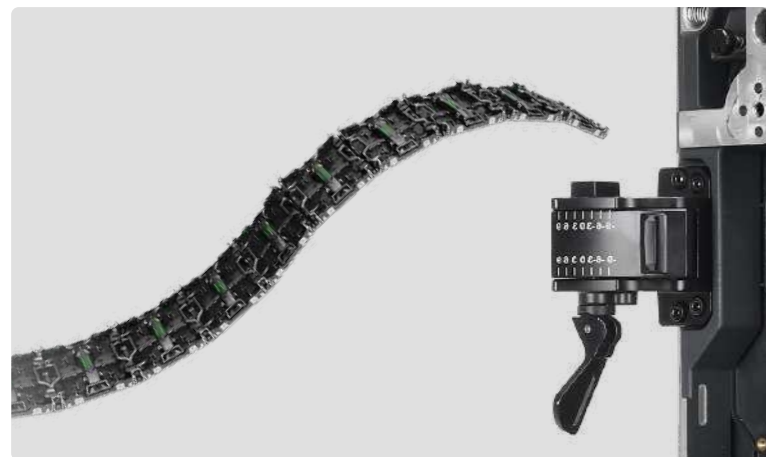


Neptune Outdoor specification

Product	Neptune Outdoor p2.9	Neptune Outdoor p3.9	Neptune Outdoor p4.8
Pixel Pitch	2.97619 mm	3.90625 mm	4.80769 mm
Brightness	4,000 nit	4,000 nit	3,800 nit
Module Size	250 x 250 mm	250 x 250 mm	250 x 250 mm
Panel Size	500 x 500 mm	500 x 500 mm	500 x 500 mm
Panel Resolution	168 x 168 px	128 x 128 px	104 x 104 px
Refresh Rate	3,840 Hz (Option: 7,680 Hz)	3,840 Hz (Option: 7,680 Hz)	3,840 Hz (Option: 7,680 Hz)
Viewing Angle	160° (H, V)	160° (H, V)	160° (H, V)
Weight	32 kg/sqm	32 kg/sqm	32 kg/sqm
IP Rating	IP65	IP65	IP65
Working Temperature	-30~55°C	-30~55°C	-30~55°C
Humidity	10~90%	10~90%	10~90%
Maintenance	*Front & Rear	*Front & Rear	*Front & Rear
Power Consumption	Max. 800 Avg. 267 w/sqm	Max. 800 Avg. 267 w/sqm	Max. 800 Avg. 267 w/sqm
Input Voltage	AC100~240V 50/60Hz	AC100~240V 50/60Hz	AC100~240V 50/60Hz
Life Span	100,000 hours	100,000 hours	100,000 hours

*For complete front maintenance, a space of 80mm is required at the back of the product to remove the power box.

Curved connector allows curved installation



Curve Lock option for curved support

The Curve Lock option is a component that allows for the construction of curved installation screens. More creative and challenging designs are possible.

Selectable in units of 3° or 5° (3° 6° 9° or 5° 10°)